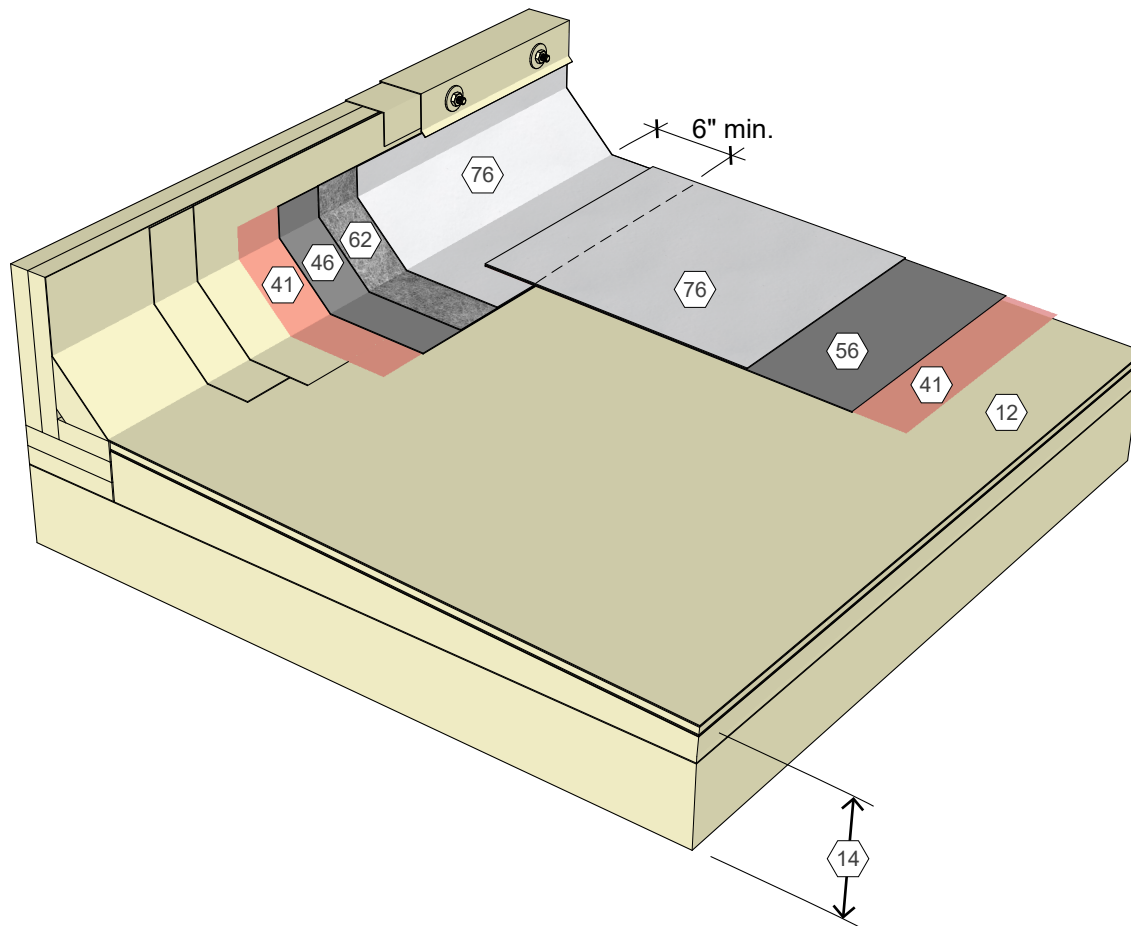


## KEY NOTES

- ① Existing Single-Ply Membrane
- ② Existing Structural Deck and Insulation Assembly
- ③ Approved Primer
- ④ SOLARGARD Seam Sealer or SOLARGARD 6083 Base Coat
- ⑤ SOLARGARD 6083 Base Coat
- ⑥ Permafab
- ⑦ SOLARGARD 6083 Finish Coat

SOLARGARD® 6083 Restoration Detail, Single-Ply, Wood Curb  
Detail 18131

**TREMCO**  
ROOFING & BUILDING MAINTENANCE



### KEY NOTES

- 12 Existing MB or Smooth BUR
- 14 Existing Structural Deck and Insulation Assembly
- 41 Approved Primer
- 46 SOLARGARD Seam Sealer or SOLARGARD 6083 Base Coat
- 56 SOLARGARD 6083 Base Coat
- 62 Permafab
- 76 SOLARGARD 6083 Finish Coat

SOLARGARD® 6083 Restoration Detail, MB or Smooth BUR, Wood Curb  
 Detail 18132